



General Purpose Input/Output Logic Converters



Introduction

The GPIO-1212-CVT Module is a special version of the GPIO-1212A module. It converts 12 inputs to 12 outputs. It may be used for buffering signals, level translation, and/or logic inversion.

Applications

The GPIO-1212CVT can be used to convert:

- N.C. Circuits to N.O. Circuits
- N.O. Circuits to N.C. Circuits

To convert contact closures, tie one side of the inputs to a common level and switch the other side so that the input sees a voltage across it in one condition and no voltage in the other condition.

Inputs

The unit has (12) input circuits.

Active:	12 to 48 VDC (nominal) across input circuit
Inactive:	< .5V
Input Current:	8 mA max (at 48V)
Max Input:	60 VDC
Opto Isolated:	Not referenced to ground

Outputs

The unit has 12 output circuits:

Type:	Isolated FET SSR
Active:	Closed (2 Ohm Max)
Inactive:	Open (max 2 uA leakage)
Max Current:	500 mA
Max Voltage:	60 VDC
Input Current:	7.5 mA max (at 48V)

CTI Products, Inc.

1211 West Sharon Road
Cincinnati, Ohio 45240
USA

phone

+1.513.595.5900

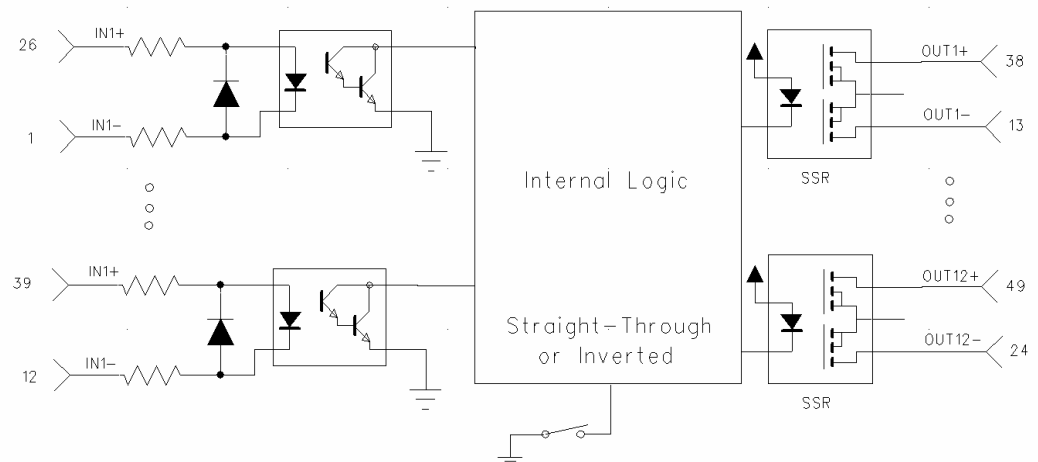
fax

+1.513.595.5983

e-mail

info@ctiproducts.com

www.ctiproducts.com



GPIO-1212-CVT Block Diagram

General Specifications

Size (MCN Size A)	5.5" x 4.2" x 1.5" (140 x 107 x 38 mm)
Weight	24 oz
Temperature	0-50 °C
Humidity	10- 95% non-condensing
Inputs	Optically Isolated 12 – 48 VDC (60 VDC Max) 8 mA max at 48 V input
Logic, Switch Selectable	Straight through or Inverted. Applies to all circuits Custom logic available, contact factory for quotation.
Outputs Solid State Relays	Optically Isolated SPST (Form A) 60 VDC, 500 mA Max. Active: 2 Ohm Max Inactive: 2 uA max leakage
Indicators:	Power 12 Input LEDs 12 Output LEDs
Equipment Connector	50 pin Telco style, Female
Network Connectors	(2) RJ-45 (1 in, 1 out) Used to pass power to downstream module
Network Cabling	4 Pair Level 4 UTP
Power Input	+12 to +30 VDC / 4 W

Models

Part Number	Model	Opto-Isolated Inputs	SSR Outputs (Form A)	Logic
S2-61418	GPIO-1212-CVT	12	12	Straight Through or Invert

Accessories

Part Number	Model
S2-60435	MCN Quad 19" Rack Mount Kit (Mounts 4 size A modules) 1 RU high
81-10398	MCN Power Supply 115 VAC
S2-61419	MCN Power Supply, -48VDC to +24 VDC (MCN "A" size module)
S2-61420	Manual, GPIO1212-CVT
S2-61421	Manual, MCN 48VDC Power Supply